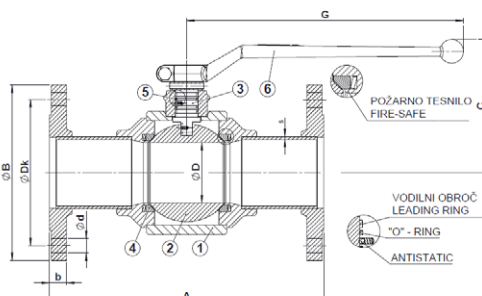


# KPV-G IZ OGLJIKOVEGA JEKLA, PRIROBNIČNA / KPV-G CARBON STEEL, FLANGED

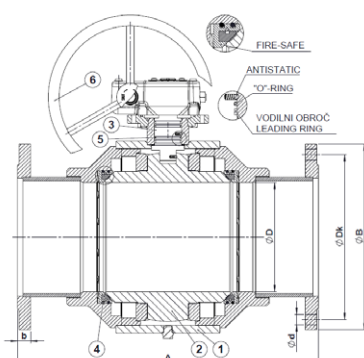
// Polni pretok / Full bore



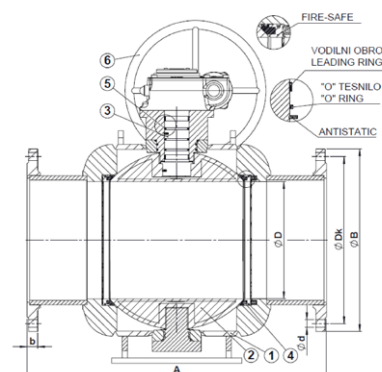
DN25-DN125



DN150-DN300



DN350-DN400



## Materiali / Materials

1	Ohišje Body	Ogljikovo jeklo – A105, P235TR2 Carbon steel – A105, P235TR2	4	Tesnilo krogle Ball seats	Teflon – PTFE**
2	Krogla Ball	Nerjavno jeklo - 1.4301 (X5CrNi18-10) AISI 304 Stainless steel - 1.4301 (X5CrNi18-10) AISI 304	5	O-Obrroč O-Ring	Viton (+60 °C) - FPM
3	Vreteno Stem	Nerjavno jeklo – 1.4028 (X30Cr13) AISI 420 Stainless steel – 1.4028(X30Cr13) AISI 420	6	Ročica Handle	Kovani aluminij – Al6061, opcija S235JR (St 37-2) Forged aluminium – Al6061, option S235JR (St 37-2)

\*\*DN150 – DN400 imajo tesnilo s 15% grafitu.  
\*\*DN150 – DN400 deals with 15% graphite content.

## Navor / Torque

DN	Maks. navor Max torque P = 16 bar T = 20°C [Nm]	Maks. navor Max torque P = 40 bar T = 20°C [Nm]	Priporočljivi navor za pogon Recommendable torque for actuator [Nm]
25	15	20	30
32	20	30	45
40	25	40	60
50	35	55	80
65	45	80	120
80	60	100	150
100	90	150	200

DN	Maks. navor Max torque P = 16 bar T = 20°C [Nm]	Maks. navor Max torque P = 40 bar T = 20°C [Nm]	Priporočljivi navor za pogon Recommendable torque for actuator [Nm]
125	180	350	450
150	250	500	700
200	400	700	1000
250	500	700	1200
300	600	800	1200
350	900	1100	1700
400	1000	1200	1800

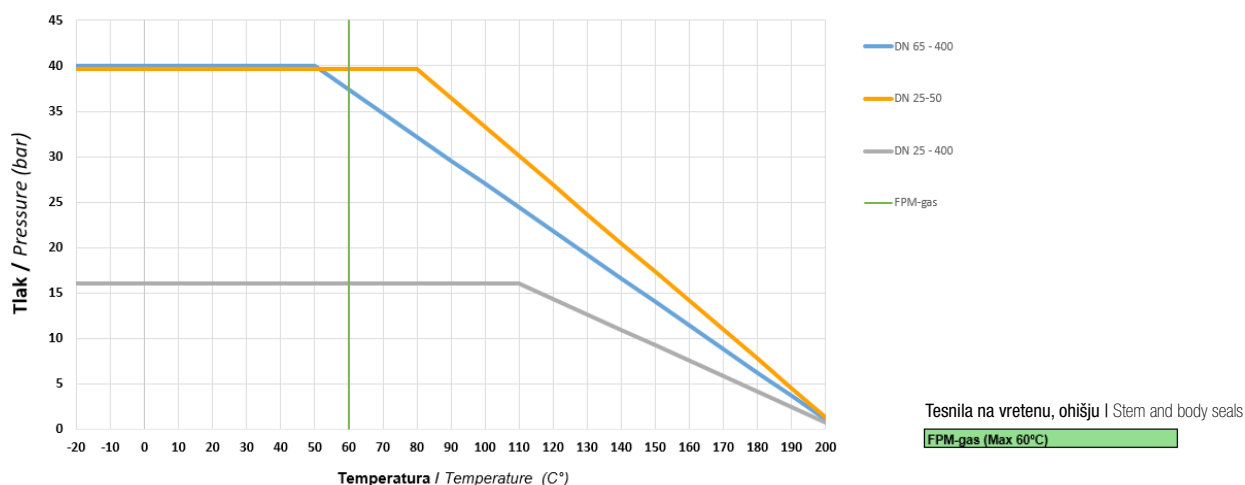
**Opombe:** Navori so bili izmerjeni s čisto vodo pri sobni temperaturi na ventilih s PTFE tesnili. Navor se lahko poveča pri ventilih, ki imajo tesnila iz drugačnih materialov, pri merjenju z različnimi tekočinami, višjimi temperaturami, posebnimi obratovalnimi pogoji in/ali v primeru, da je ventil dlje časa pod diferencialnim tlakom, ne da bi obratoval.

**Remarks:** The torques were measured on valves supplied with virgin PTFE seats, with clean water at room temperature. For valves with other seat materials, different fluids, higher temperatures, specific operating conditions and/or in case the valve is kept for a long time under differential pressure without being operated, the torque can increase.

// Delovna temperatura / Working temperature: -20 °C/+60 °C

(Za temperature nižje od -20 °C kontaktirajte proizvajalca /  
 For temperature below -20 °C please contact manufacturer)

## Diagram tlak I temperatura / Pressure I temperature chart



## KPV-G DN ... PN16 DP VX PX



Art.	DN	A	B	C	ØD	G	b	ØDk	Ød	Št. / No.	Teža / weight [kg]
A957303	25	160	115	76	25	158	16	85	14	4	4,20
A957304	32	180	140	108	32	180	16	100	18	4	5,30
A957305	40	200	150	114	40	180	16	110	18	4	6,40
A957306	50	230	165	128	50	222	18	125	18	4	9,30
A957307	65	290	185	160	63,5	293	18	145	18	4	14,30
A957308	80	310	200	170	78	293	20	160	18	8	19,20
A957309	100	350	220	185	99	415	20	180	18	8	29,30
A957310	125	400	250	260	124	518	22	210	18	8	52,90
A957311	150	450	285	277	149	518	22	240	22	8	76,30
A957312	200	550	340	—	200	—	24	295	22	12	144,60
A957313	250	650	405	—	250	—	26	355	26	12	245,80
A957314	300	750	460	—	300	—	28	410	26	12	372,90
A957315	350	850	520	—	334	—	30	470	26	16	444,90
A957316	400	950	580	—	387	—	32	525	30	16	605,30

## KPV-G DN ... PN40 DP VX PX



Art.	DN	A	B	C	ØD	G	b	ØDk	Ød	Št. / No.	Teža / weight [kg]
A957403	25	160	115	76	25	158	18	85	14	4	4,20
A957404	32	180	140	108	32	180	18	100	18	4	5,60
A957405	40	200	150	114	40	180	18	110	18	4	6,80
A957406	50	230	165	128	50	222	20	125	18	4	9,50
A957407	65	290	185	160	63,5	293	22	145	18	8	15,10
A957408	80	310	200	170	78	293	24	160	18	8	20,50
A957409	100	350	235	185	99	415	24	190	22	8	32,80
A957410	125	400	270	260	124	518	26	220	26	8	57,70
A957411	150	450	300	—	149	—	28	250	26	8	82,80
A957412	200	550	375	—	200	—	34	320	30	12	162,30
A957413	250	650	450	—	250	—	38	385	33	12	275,30
A957414	300	750	515	—	300	—	42	450	33	16	418,60
A957435	350	850	580	—	334	—	46	510	36	16	637,50
A957436	400	950	660	—	387	—	50	585	39	16	897,50

Uležajena krogla | Trunnion mounted ball

### Opombe

Vgradna dolžina ustreza standardu EN558-1 Basic series 28.  
 DN50 do DN400 z vzmetenimi tesnili.  
 DN150 PN16 z ročico.  
 DN200 do DN400 ter DN150 PN40 z ročnim polžnim gonilom.  
 Antistatična izvedba in požarno tesnilo.  
 Nadgradnje na strani 87 - 94.

### Notes

Face to face dimensions conform with the EN558-1 Basic series 28.  
 DN50 to DN400 with spring-loaded washers.  
 DN150 PN16 with handle.  
 DN200 to DN400 and DN150 PN40 are with a manual gearbox.  
 Antistatic and Fire Safe Design.  
 Upgrades on pages 87 - 94.



Na zahtevo stranke je možna izdelava krogelne pipe, primerne za uporabo do 20% vodika.  
 Ball valve suitable for up to 20% Hydrogen Application available on request.



Na zahtevo možna izdelava za kisik.  
 Ball valve for Oxygen Service available on request.